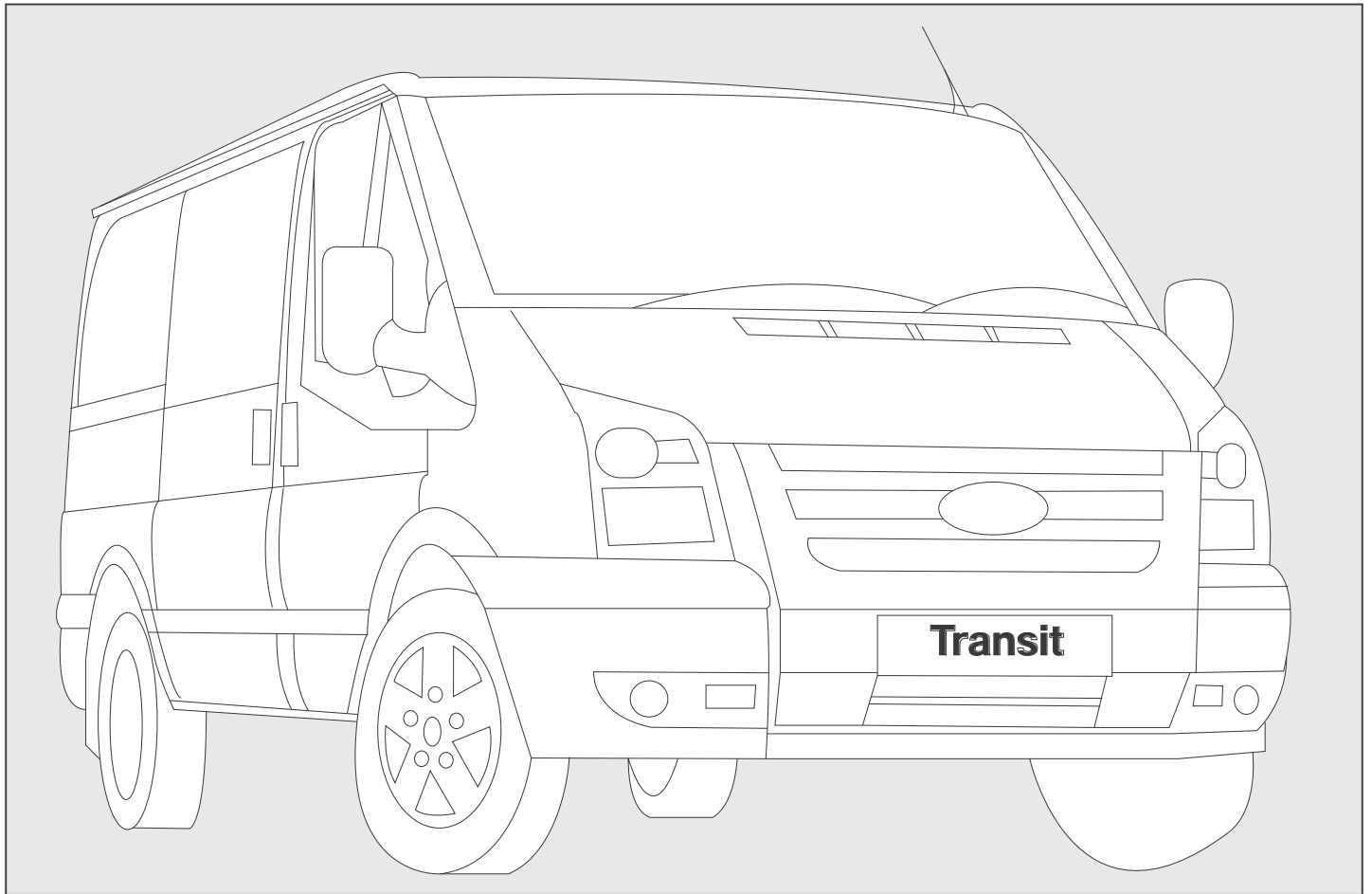


## Contents

<b>ENGLISH</b> .....	2
Vehicle Details .....	2
Adapter Kit Details .....	2
Compatible Compressors .....	3
Compressor Kit Configurations .....	3
Foreword .....	4
Standard Fastener Torque Values .....	4
Parts View and List .....	5
Pre Installation .....	6
Compressor Bracket Installation .....	6
Compressor Installation .....	7
Compressor Modification .....	7
Drive Belt .....	7
Post Installation .....	7
Notes .....	8



**VEHICLE DETAILS**

Manufacturer	Ford
Make	Transit FWD
Model	260, 280, 300, 330, 350
Engine CC	2198cc
Engine Details	85, 115, 130 PS
Year	06.06>11.11
Chassis Nos.	N/A
LHD	YES
RHD	YES
PAS	YES
A/C	NO
Voltage	12v

**ADAPTER KIT DETAILS**

Kit Part No.	0500.3922
Description	Standard Kit
Compressor RPM	4705 @ Max engine power output
Fitting Time	80 Minutes
Suction Fitting	45°
Discharge Fitting	45°
Belt Type	6PK 1675
Belt Part No.	0820.0901

## COMPATIBLE COMPRESSORS

SELTEC	TM-13 HS	TM15-HS	TM16-HS
Comp No	0381.0152	0381.0802	-
Seltec No.	488.44320	488.44320	-
Mounting	Ear	Ear	-
Rotor	8PV	8PV	-
Armature	SL	SL	-
Diameter	123	123	-
Voltage	12	12	-
Orientation	V	V	-
Fitting	3/4 x 7/8	3/4 x 7/8	-
Manifold	Bolt	Bolt	-

QUE	QP13-HD	QP15-HD	QP16-HD
Comp No	0391.0152	0391.0802	-
Que No.	-	QP15-1512	-
Mounting	Ear	Ear	-
Rotor	8PV	8PV	-
Armature	SL	SL	-
Diameter	123	123	-
Voltage	12	12	-
Orientation	V	V	-
Fitting	3/4 x 7/8	3/4 x 7/8	-
Manifold	Bolt	Bolt	-

SANDEN	SD5H09	SD5H14	SD5H15
Comp No	-	0300.0451	0300.1961
Sanden No.	-	6628	8027
Mounting	-	Ear	Ear
Rotor	-	7PV	8PV
Armature	-	SL	SL
Diameter	-	124	125
Voltage	-	12	12
Orientation	-	H	H
Fitting	-	3/4 x 7/8	3/4 x 7/8

Notes

## COMPRESSOR KIT CONFIGURATIONS

PART NUMBER	COMPRESSOR KIT PART NOS				DESCRIPTION	QTY.
	0513.3922	0515.3922	0593.3922	0595.3922		
0381.0152	●				TM13 Ear Mount 8PV SL 123 12V V 3/4 x 7/8 Bolt	1
0381.0802		●			TM15 Ear Mount 8PV SL 123 12V V 3/4 x 7/8 Bolt	1
0391.0152			●		QP13 Ear Mount 8PV SL 123 12V V 3/4 x 7/8 Bolt	1
0391.0802				●	QP15 Ear Mount 8PV SL 123 12V V 3/4 x 7/8 Bolt	1

● = Additional parts to standard kits.

**FOREWORD**

- The purpose of this manual is to facilitate the installation of a direct drive compressor. The information given is merely instructive, should any complications arise contact the Technical department. The manufacturer's warranty does not cover any problems caused by defective installation or alterations made unless authorised. The manufacturer shall not be responsible for any injury, damage or loss caused directly or indirectly as a result of using this manual or the information contained within it.

**1 SAFETY MEASURES:**

**Before fitting the Compressor adapter drive kit, ensure the following for damage:**

- Inner and outer trim and body work
- Engine idle pace
- Check all the vehicle functions

**Check list:**

- Ensure that the right kit has been selected
- Before installing, check that all the correct pieces are present; also ensure that there are no missing or broken pieces
- When fitting, make sure the vehicle is properly protected against damage.

**Installation apparatus**

- Calibrated torque wrench
- Hand service tools
- Protective covers and shields

**2 PRECAUTIONS**

- Detach the battery negative lead.
- Torque all bolts where stated using a calibrated torque wrench.
- Take extreme care with moving parts.
- Remove the vehicles ignition key and keep it with you.
- Wear safeguards to make sure that liquid refrigerant never touches your skin





**Caution:** Measures must be followed accurately to steer clear of the possibility of damage to individuals

**Warning:** This calls awareness to actions which must be pursued to avoid damage to the components.

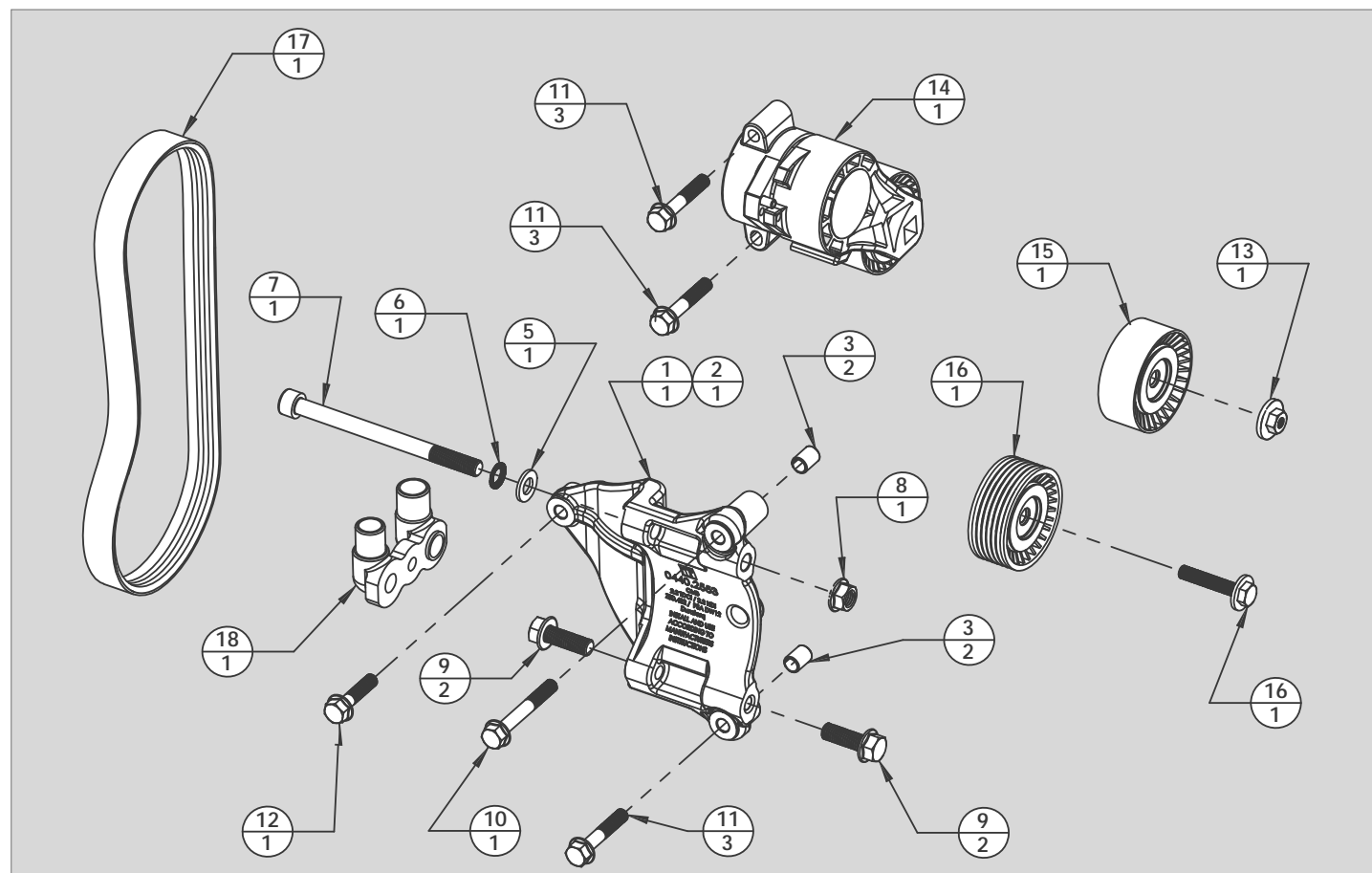
**NB:** This calls awareness to make the job easier or gives useful information.

**STANDARD FASTENER TORQUE VALUES**

- In the absence of specific torque values detailed in this fitting instruction manual, the following chart can be used as a guide to the maximum safe torque for specific size and grade of fastener.

STRENGTH								
	Max Torque		Max Torque		Max Torque		Max Torque	
Dia / Pitch	lb.ft	Nm	lb.ft	Nm	lb.ft	Nm	lb.ft	Nm
M5 x 0.80	2	3	4.5	6	6.5	9	7.5	10
M6 x 1.00	4	5.5	7.5	10	11	15	13	18
M8 x 1.25	10	13	18	25	26	35	33	45
M10 x 1.25	20	27	39	53	57	78	66	90
M10 x 1.50	18	25	37	50	55	73	63	86
M12 x 1.75	33	45	63	85	97	130	111	150
M14 x 2.00	55	75	103	140	151	205	177	240
M16 x 2.00	85	115	159	215	232	315	273	370

## PARTS VIEW



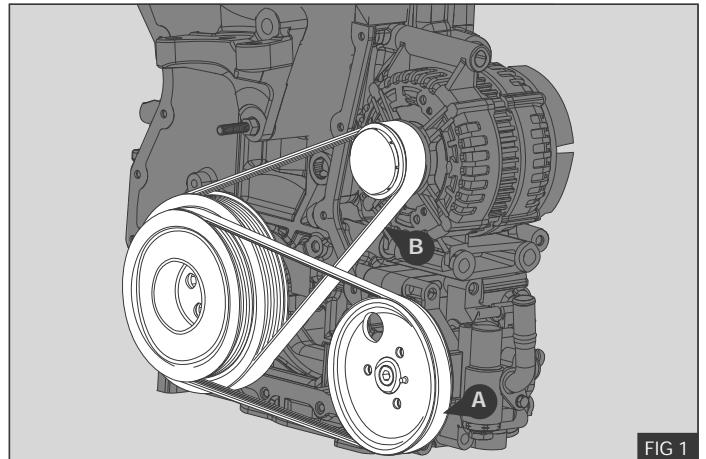
ITEM	PART NO.	DESCRIPTION	QTY.	COMMENTS
1	0441.2552	Compressor Mount Bracket Assembly	1	-
2	0440.2553	Compressor Mount Bracket	1	-
3	2800.0531	Split Dowel Bush	2	-
4	0290.3922	Fastener Pack - 0500.3922	1	Not Shown
5	2809.0011	Washer M10 Flat DIN 125 - A 10.5	1	-
6	2809.0101	M10 Schnorr safety washer type 'S'	1	-
7	2705.0301	Hex socket head cap screw M10 x 130 : 1.50 - 12.9	1	-
8	2735.0071	Durlok Hexagon Flange Nut - M10 : 1.50	1	-
9	2705.0491	Hex flange bolt durlok - M10 x 30 : 1.50 - 12.9	1	-
10	2704.1011	Hex flange bolt - M8 x 60 : 1.25 - 10.9	1	-
11	2704.1031	Hex flange bolt - M8 x 45 : 1.25 - 10.9	3	-
12	2704.1021	Hex flange bolt - M8 x 35 : 1.25 - 10.9	1	-
13	2734.0041	Hexagon Carp Nut - M8 :1.25	1	-
14	1705.0831	Automatic Belt Tensioner	1	-
15	1700.0491	Back Idle pulley 65 x 25.5	1	-
16	1700.0501	Idle pulley 68 x 26 - 6PK	1	Includes bolts
17	0820.0901	Belt - Poly Groove 6PK 1675	1	-
18	0425.0501	Vertical Manifold 3/4 x 7/8 - Short	1	-

## PRE INSTALLATION

**N.B** Prior to commencing work, please examine the instructions with care. The alphabetical symbols on the diagram relate to written instructions, numerical symbols relate to the parts listing.

### Dismantle the following:

1. Remove the original power steering stretch self tensioning drive belt **A** using the correct removal tool (Not supplied) - Fig 1
2. Remove and discard the original alternator stretch self tensioning drive belt **B** using the correct tool (Not supplied) - Fig 1.

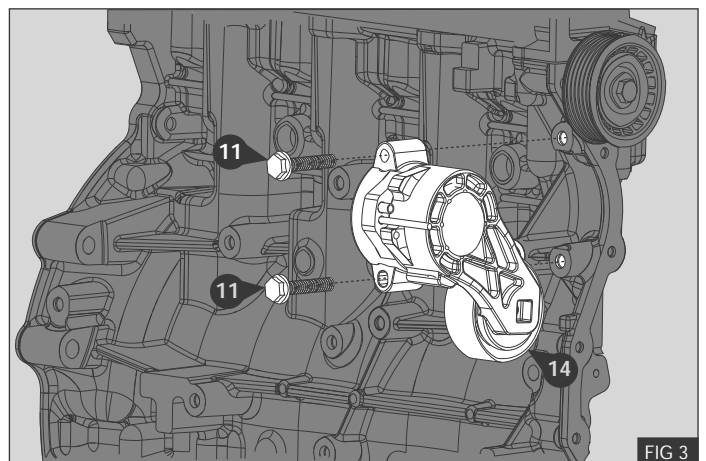
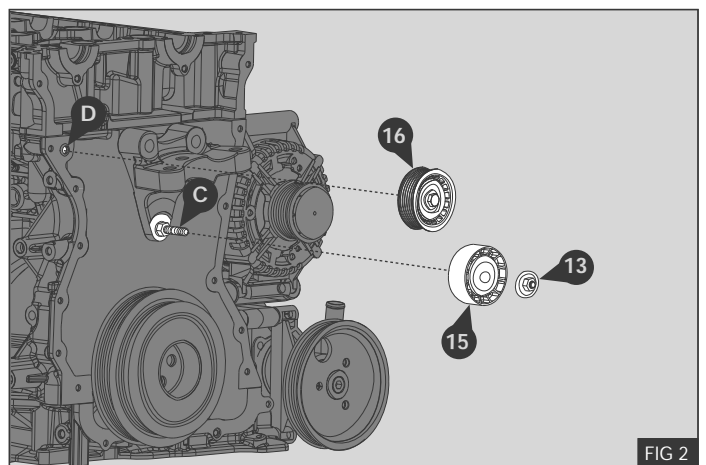


## INSTALLATION

1. Fit the supplied back idle pulley **15** onto the original stud **C** located on the engine mount and secure using supplied nut **13** - Fig 2
2. Torque nut **13** to 25 Nm / 18.0 Lb ft using a calibrated torque wrench
3. Fit the supplied idle pulley **16** onto the mounting at point **D** - Fig 2

**NB** : It may be necessary to remove excess gasket covering the mounting hole **D** - Fig 2

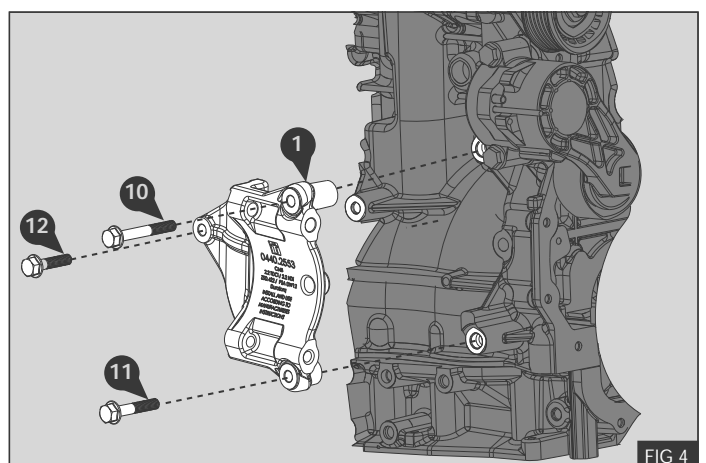
4. Torque the idle pulley bolt to 25 Nm / 18.0 Lb ft using a calibrated torque wrench
5. Remove the original manufacturers wiring loom fitted to the automatic belt tensioner **14** mounting holes - Fig 3
6. Secure the automatic belt tensioner **14** using the two supplied M8 x 45 bolts **11** - Fig 3.
7. Torque the bolts **11** to 25 Nm / 18 Lb ft using a calibrated torque wrench - Fig 3.



## COMPRESSOR BRACKET INSTALLATION

**Note:** Ensure the correct length bolt is installed in the correct location shown in Fig 4.

1. Install the supplied compressor mount bracket assembly **1** in the position shown and secure using bolts M8 x 60 **10** M8 x 45 **11** M8 x 35 **12** - Fig 4
2. Torque bolts **10** **11** **12** to 25Nm / 18lb.ft. using a calibrated torque wrench - Fig 4.



## COMPRESSOR MODIFICATION

1. Remove the compressor ear (E) detailed in the drawing - Fig 5.
2. Fit the supplied manifold (18) - Fig 5

## COMPRESSOR INSTALLATION

1. Fit the compressor to the mount bracket assembly (1) fixing it with the two supplied bolts M10 x 30 (9) and cap screw M10 x 130 (7) with Schnorr safety washer (6), flat washer (5) and nut (8) - Fig 6
2. Torque the two M10 x 30 bolts (9) to 50 Nm / 37 Lb ft using a calibrated torque wrench
3. Torque the M10 x 130 cap screw (7) to 73Nm / 55Lb ft using a calibrated torque wrench
4. Fix the original manufacturers wiring loom previously removed into an appropriate location.

## DRIVE BELT

1. Fit the supplied replacement poly groove engine drive belt (17) to the engine in the same configuration in accordance with the original manufacturers design - Fig.8
2. Refit the original power steering stretch self tensioning drive belt (A) using the correct installation tool (Not supplied) - Fig 8.

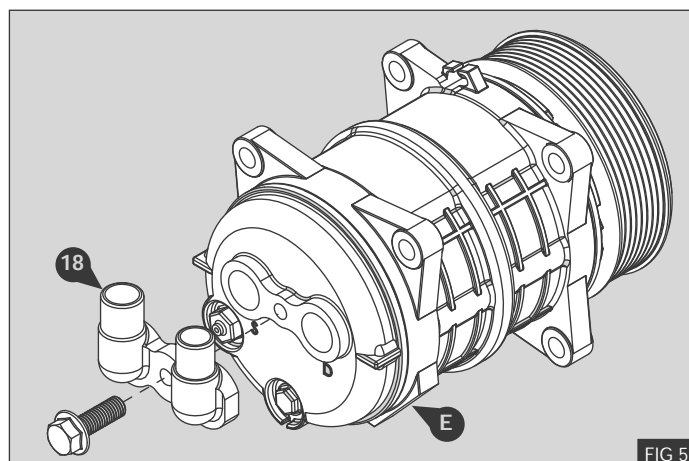


FIG 5

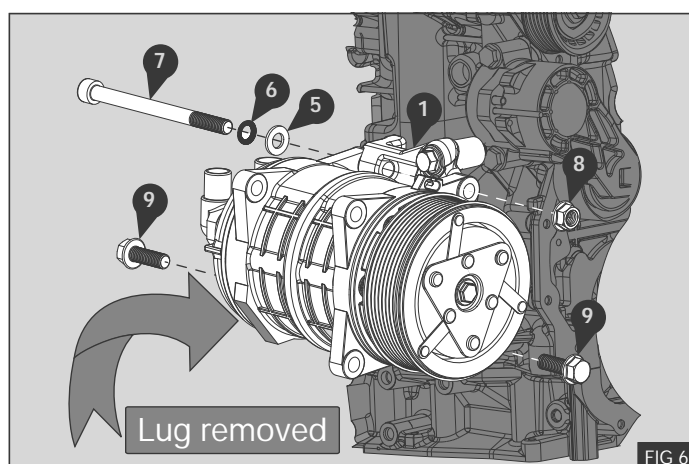


FIG 6

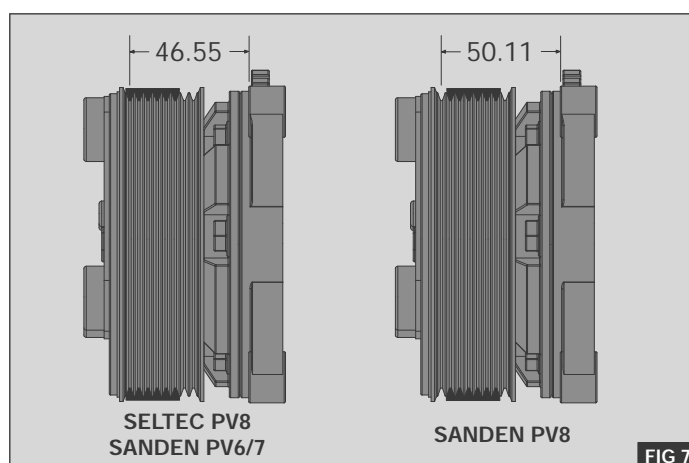


FIG 7

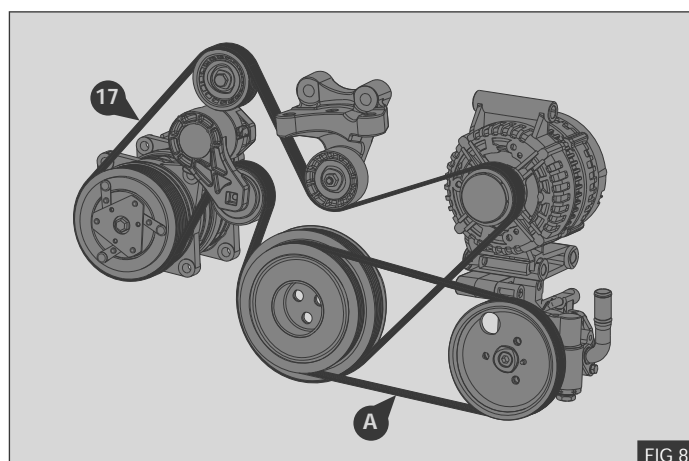


FIG 8

**NB:** Where applicable and dependent on the compressor model, align the supplied drive belt by installing in the correct clutch groove - Fig.7 Seltec PV8 has the same gauge line (46.55) as the Sanden PV6 & PV7, belt is fitted to front groove.

Sanden PV8 has a unique gauge line (50.11) in most cases, belt is fitted to second groove. If in any doubt, please check with your compressor supplier

## POST INSTALLATION

1. Before starting the engine check all the installed parts and ensure that the belt is installed correctly. Run the unit for at least ten minutes, then check the whole mounting assembly and previously removed parts. Attach the supplied warning label onto a suitable location.

Notes